

N32L40x Series Errata Sheet

Contents

1	ERRATA LIST	4
2	POWER CONTROL (PWR).....	7
2.1	System Clock Switching	7
2.2	To avoid using HSI/HSE directly as the system clock, it is recommended to choose PLL as the system clock. Switch To Stop2 Mode from LPRUN Mode	7
2.3	Power On Again After Power Down	7
3	RESET AND CLOCK CONTROL (RCC)	8
3.1	Enter Stop2 Mode From Run Mode.....	8
3.2	LSE-CSS Fault Detection	8
4	GPIO AND AFIO	9
4.1	GPIO Analog Function	9
5	ANALOG/DIGITAL CONVERSION (ADC)	9
5.1	ADC Data Left-Align.....	9
5.2	ADC Injection Channels Trigger Regular Channel Conversions.....	9
5.3	ADC Analog Watchdog	10
5.4	DMA Moves ADC Data	10
6	SERIAL PERIPHERAL INTERFACE (SPI)	11
6.1	SPI Interface.....	11
6.1.1	SPI Baud Rate Setting.....	11
6.1.2	CRC check In Slave Mode	11
6.1.3	SPI CLK GPIO Configuration	11
6.2	I2S Interface	12
6.2.1	PCM long Frame Mode	12
7	I2C INTERFACE.....	13
7.1	Handling Software events before current byte transferring.....	13
7.2	Notes on single read of one or two bytes	13
7.3	Use DMA Simultaneously With Other Peripherals.....	14
7.4	Abnormal Signal Interference	14

8	UNIVERSAL SYNCHRONOUS ASYNCHRONOUS RECEIVER (USART)	16
8.1	CHECK ERROR FLAG	16
8.2	RTS HARDWARE FLOW CONTROL.....	16
9	DEBUG INTERFACE (DBG)	17
9.1	Debug Register.....	17
10	TIMER (TIM)	18
10.1	Timer Repeat Capture Detection	18
11	COMPARATOR (COMP)	19
11.1	Comparator INP Input	19
12	LIQUID CRYSTAL DISPLAY (LCD)	20
12.1	LCD Internal Voltage Converter Ready Flag	20
12.2	LCD 1/8 Duty, 1/4 Bias Mode.....	20
13	REAL TIME CLOCK (RTC)	21
13.1	RTC PRESCALE	21
13.2	RTC Subpicosecond Interrupt	21
13.3	RTC Interrupt	21
13.4	RTC Periodic Wake-up	21
13.5	RTC Incorrectly Triggers the TISOVF Flag	22
14	LOW POWER TIMER (LPTIM)	23
14.1	LPTIM MAXIMUM COUNT VALUE	23
15	CONTROLLER AREA NETWORK (CAN)	24
15.1	CAN Active Error	24
16	CHIP SCREEN PRINTING AND VERSION DESCRIPTION	25
17	VERSION HISTORY	26
18	DISCLAIMER	27

1 Errata list

Table 1-1 Overview of errata

Errata link		Chip version					
		Version B	Version C	Version D	Version E	Version G	Version H
Chapter 2: Power Control (PWR)	Section 2.1: System clock switchover	•					
	Section 2.2: Switch to Stop2 mode from LPRUN mode	•	•	•	•	•	•
	Section 2.3: Power on again after power down	•	•				
Chapter 3: Reset and clock control (RCC)	Section 3.1: Enter Stop2 mode from Run mode	•	•	•	•	•	•
	Section 3.2: LSE-CSS fault detection	•	•	•	•	•	•
Chapter 4: GPIO and AFIO	Section 4.1: GPIO analog function	•	•				
Chapter 5: Analog/Digital conversion (ADC)	Section 5.1: ADC data left-align	•	•	•	•	•	•
	Section 5.2: ADC injection channels trigger regular channel conversions	•	•	•	•	•	•
	Section 5.3: ADC analog watchdog	•	•	•	•	•	•
	Section 5.4: DMA moves ADC data	•	•	•	•	•	•
Chapter 6: Serial peripheral interface (SPI)	Section 6.1: SPI interface	Section 6.1.1: SPI Baud Rate Setting	•	•	•	•	•
		Section 6.1.2: CRC check slave mode	•	•	•	•	•

		Section 6.1.3: SPI CLK GPIO configuration	•	•	•	•	•	•
	Section 6.2: I2S interface	Section 6.2.1: PCM long frame mode	•	•	•	•	•	•
Chapter 7: I2C interface	Section 7.1: Software events that must be managed before the current byte transfer		•	•	•	•	•	•
	Section 7.2: Considerations when reading single or double bytes at a time		•	•	•	•	•	•
	Section 7.3: Use DMA in conjunction with other peripherals		•	•	•	•	•	•
	Section 7.4: Abnormal signal interference		•	•	•	•	•	•
Chapter 8: Universal synchronous asynchronous receiver (USART)	Section 8.1: Check error flag		•	•	•	•	•	•
	Section 8.2: RTS hardware flow control		•	•	•	•	•	•
Chapter 9: Debug interface (DBG)	Section 9.1: Debug register		•	•	•	•	•	•
Chapter 10: Timer (TIM)	Section 10.1: Timer repeat capture detection		•	•	•	•	•	•
Chapter 11: Comparator (COMP)	Section 11.1: Comparator INP input			•	•	•	•	•
Chapter 12: Liquid Crystal Display (LCD)	Section 12.1: LCD internal voltage converter ready flag		•					
	Section 12.2: LCD 1/8 Duty, 1/4 Bias mode		•	•				
	Section 13.1: RTC prescale		•	•	•	•	•	•

Chapter 13: Real time clock (RTC)	Section 13.2: RTC subpicosecond interrupt	•	•	•	•	•	•
	Section 13.3: RTC interrupt	•	•	•	•	•	•
	Section 13.4: RTC Auto Wake-up	•	•	•	•	•	•
	Section 13.5: RTC mistakenly triggers TISOVF flag bit	•	•	•	•	•	•
Chapter 14: Low Power Timer (LPTIM)	Section 14.1: LPTIM maximum count value	•	•	•	•	•	•
Chapter 15: Controller Area Network(CAN)	Section 15.1: CAN active error	•	•	•	•	•	

2 Power Control (PWR)

2.1 System Clock Switching

Description

During the process of switching from the system clock using HSI/HSE to MSI, if a system reset occurs, it may lead to chip crash.

Workaround

2.2 To avoid using HSI/HSE directly as the system clock, it is recommended to choose PLL as the system clock. Switch To Stop2 Mode from LPRUN Mode

Description

When the MCU switches from LPRUN mode to Stop2 mode, a reset may occur after wakeup.

Workaround

To solve this problem, ensure that PVDBOR is always enabled on in Stop2 mode (clear the PBDTLPR bit of PWR_CTRL3 to 0) before entering Stop2 mode.

2.3 Power On Again After Power Down

Description

If the power supply is powered off and drops to the range of 600 mv to 100mV, and then power on again, the power on may be unsuccessful.

Workaround

When the MCU is powered off, it is necessary to ensure that the chip's VDD voltage drops below 100mV before powering up the MCU.

3 Reset And Clock Control (RCC)

3.1 Enter Stop2 Mode From Run Mode

Description

Dividing AHB CLK and APB CLK by certain frequency divisors may result in an extremely low probability of the chip not entering Stop2 mode in Run mode. The higher the frequency divisor, the more likely this phenomenon may occur.

Workaround

Back up AHB CLK frequency division factor and configure the AHB CLK to be undivided before entering STOP2 mode. Besides, restore the frequency division backed up after exit from STOP2 mode.

3.2 LSE-CSS Fault Detection

Description

After the LSE-CSS detects that the LSE is stopped, it cannot switch to the LSI through software.

Workaround

Power on again.

4 GPIO And AFIO

4.1 GPIO Analog Function

Description

When the four GPIO PA1/PA2/PA3/PA4 output high and are switched to analog function, it will cause 30mV voltage drop in the switching process.

Workaround

Avoid the above methods.

5 Analog/Digital Conversion (ADC)

5.1 ADC Data Left-Align

Description

In ADC single conversion mode, with non-12-bit precision and left alignment, when a software-triggered conversion of the regular channel is initiated, the highest bit of the invalid bits in the ADC_DAT register is set to 1.

Workaround

Retain only valid data bits or use right-aligned mode.

5.2 ADC Injection Channels Trigger Regular Channel Conversions

Description

In ADC continuous conversion mode, with external triggering disabled for regular channels and only software-triggered injection channel conversion, the regular channels may be triggered for conversion, resulting in data being generated in ADC_DAT and the corresponding status bit of the regular channel conversion in ADC_STS being set.

Workaround

Ignore the flags and data generated by the regular channels.

5.3 ADC Analog Watchdog

Description

In ADC independent mode with single conversion and non-12-bit precision, enabled analog watchdog may be triggered by mistake if the high threshold value of the analog watchdog is equal to the value in the ADC data register with all invalid bits equal 0 when triggering the conversion of regular/injected channels by software.

Workaround

In this case, the highest position 1 of the invalid bit of the simulated watchdog high threshold is not triggered.

5.4 DMA Moves ADC Data

Description

In ADC independent mode with continuous conversion and DMA transfer of ADC data, when the configured number of transfers is completed, disable DMA first, then disable ADC, and then re-enable DMA. If DMA is re-enabled before ADC is enabled, the first data transferred by DMA will be the remaining ADC conversion data from before DMA was disabled.

Workaround

In this case, if DMA is re-enabled after being disabled in a loop, an additional data transfer is added to the base transfer count N. After the first disable, the data from the first to the Nth transfer is read. Subsequent disables will read the data from the second to the N+1th transfer.

6 Serial Peripheral Interface (SPI)

6.1 SPI Interface

6.1.1 SPI Baud Rate Setting

Description

When the baud rate control bit (BR[2:0]) is set to fPLCK/2 in SPI master mode, the CRC check will fail.

Workaround

In this case, avoid setting baud rate control bit (BR[2:0]) to fPLCK/2.

6.1.2 CRC check In Slave Mode

Description

When the SPI is operating in slave mode with CRC enabled, even if the NSS pin is at a high level, as long as the SPI receives clock signals, it will still perform CRC calculation.

Workaround

Before using CRC check, clear the CRC data register to synchronize the CRC check between the master and slave devices

The clearing steps are as follows:

1. Reset the SPI enable bit (set to 0)
2. Reset the CRC check bit (set to 0)
3. Set the CRC check bit (set to 1)
4. Set the SPI enable bit (set to 1)

6.1.3 SPI CLK GPIO Configuration

Description

When the SPI clock polarity is configured as high, after enabling the SPI, the clock of GPIO will be pulled high before outputting the clock signal. The slave may mistakenly interpret this edge as a clock signal, causing the received data to shift.

Workaround

Configure the clock of GPIO based on the clock polarity (pull up the clock of GPIO if the clock polarity is high, and pull down the clock of GPIO if the clock polarity is low) before enabling the SPI.

6.2 I2S Interface

6.2.1 PCM long Frame Mode

Description

When the I2S is operating in master mode, PCM long frame mode, and the data format is extended from 16bit to 32bit or 32bit, the WS signal is cycles every 16bit instead of 32bit.

Workaround

When I2S is in master mode and long frame mode must be used, 16bit data mode should be used.

7 I2C Interface

7.1 Handling Software events before current byte transferring

Description

In the occurrence of events EV7, EV7_1, EV6_1, EV6, EV2, EV8, and EV3, it is essential to handle the events before the current byte transfer to prevent issues such as reading an extra byte, obtaining duplicate data, or losing data. If the software fails to read the N-1 data before the stop signal generation, the data in the shift register for the Nth byte may become corrupted (shifted left by one bit).

Workaround

1. When transferring more than one byte using I2C, it is recommended to use DMA
2. When using I2C interrupts, the interrupt priority is set to the highest priority of the application
3. When the read data reaches the N-1 byte:
 - a) Check BSF is 1
 - b) Set SCL to GPIO open miss output and set it to 0
 - c) Set STOPGEN to 1
 - d) Read the N-1 byte
 - e) Set SCL to open/miss output mode for I2C multiplexing
 - f) Read the last byte

7.2 Notes on single read of one or two bytes

Description

In master read mode, errors in reading data may occur when reading byte lengths of single byte and double byte.

Workaround

1. Single byte read:
 - a) Upon receipt of ADDRIF
 - b) Set the ACKEN bit to 0

- c) Clear the ADDRFB bit (by reading STS1 and then STS2)
 - d) Set STOPGEN to 1
 - e) Read one byte of data.
2. Double-byte read:
- a) Upon receipt of ADDRFB
 - b) Set the ACKPOS bit to 1
 - c) Clear the ADDRFB bit (by reading STS1 and then STS2)
 - d) Set the ACKEN bit to 0
 - e) The BSF level was 1
 - f) Set STOPGEN to 1
 - g) Read two bytes of data in a row

7.3 Use DMA Simultaneously with Other Peripherals

Description

If other peripherals (including other I2C) are using DMA during the I2C communication, the I2C communication will be abnormal.

Workaround

During I2C communication using DMA, disable DMA for other peripherals.

7.4 Abnormal Signal Interference

Description

During operation, I2C may experience communication anomalies due to glitches on SCL and SDA lines.

Workaround

Master and slave automatic recovery:

- A) Soft reset of I2C by I2C CTRL1[15](SWRST) bit
- B) Restore the IIC module by controlling the RCC_APB1RSTR[21](I2CxRST) bit in the RCC module to complete the recovery
- C) Restore the IIC module by calling the global soft reset NVIC_SystemReset() function for global reset

Master recovery slave machine:

- A) Restore the slave machine by controlling the hardware reset pin reset the slave machine
- B) Use the power management mechanism to power on the slave machine for restoration
- C) Set the communication port of the IIC master to GPIO mode, and send 9 clocks on the SCL CLOCK line to recover the slave machine

8 Universal Synchronous Asynchronous Receiver (USART)

8.1 Check Error Flag

Description

During the reception of a byte of data, if a checksum error is detected before the stop bit is received, the checksum error flag is set. During this time, the checksum error flag cannot be cleared by software means (reading the status register and then reading the data register). If the checksum error interrupt is enabled, the checksum error interrupt handler may be triggered multiple times.

Workaround

The read buffer flag bit is set, and the error flag bit operation is performed after the data is received.

If checksum error interrupt is enabled, to avoid entering the interrupt processing function for multiple times, the checksum error interrupt is disabled when entering the checksum error interrupt for the first time. After receiving data, the checksum error interrupt is enabled again.

8.2 RTS Hardware Flow Control

Description

When the RTS hardware flow control is enabled, the USART receives a frame of data. When the first byte of data is received, the RTS signal is automatically pulled up. If the first byte of data is not read out of the data register in time, the RTS signal is pulled down again after the next byte of data is received, and the USART waits for the next frame of data to be received.

Workaround

Read the data from the data register in time before receiving the next new data.

9 Debug Interface (DBG)

9.1 Debug Register

Description

The DBGMCU_IDCODE debug register can only be accessed in debug mode (not by user programs), and the value returned by reading in user mode is 0xFF.

Workaround

Avoid using IDCODE in user applications.

10 Timer (TIM)

10.1 Timer Repeat Capture Detection

Description

When an input capture event occurs, while reading TIMx_CCxDATx (capture/compare register x) (the read operation automatically clears the capture flag), the CCxOCF (capture/compare x overcapture flag) may still be set.

Workaround

None

11 Comparator (COMP)

11.1 Comparator INP Input

Description

When PA0/PA1/PA3 are configured as digital function pins and are at a high level, it will affect the input INP of COMP1.

Workaround

When using COMP1, do not use PA0/PA1/PA3 as digital function pins.

12 Liquid Crystal Display (LCD)

12.1 LCD Internal Voltage Converter Ready Flag

Description

When LCD uses internal voltage converter as VLCD power supply, $VDD-VLCD > VDON$, the voltage converter ready flag bit RDY (LCD_STS: bit4) is not set correctly.

Workaround

1. You are advised to set $VLCD \geq VDD$ as much as possible.
2. Configure the VLCD voltage after RDY is correctly set.

12.2 LCD 1/8 Duty, 1/4 Bias Mode

Description

When LCD is operating in 1/8 Duty, 1/4 Bias mode, COM4/5/6/7 works fine on even frames, and no output on odd frames. As a result, the pixel contrast of the COM4/5/6/7 driver is much lower than that of the COM0/1/2/3 driver.

Workaround

Avoid using 1/8 Duty, 1/4 Bias mode.

13 Real time clock (RTC)

13.1 RTC Prescale

Description

The asynchronous prescaler factor and the synchronous prescaler factor in the RTC cannot be set to 0, as it may lead to easily RTC pre-allocation to failure.

Workaround

Avoid setting the asynchronous prescaler register (TRC_PRE) DIVA[6:0] (asynchronous prescaler segment) and DIVS[14:0](synchronous prescaler segment) to 0.

13.2 RTC Subpicosecond Interrupt

Description

The first RTC subpicosecond interrupt will not be generated .

Workaround

The application waits for the second and subsequent subpicosecond interrupt.

13.3 RTC Interrupt

Description

If the interval between two RTC initialization is less than 1S, the RTC alarm and auto wake-up interrupt can't be generated.

Workaround

The time interval for RTC initialization should be more than 1S.

13.4 RTC Periodic Wake-up

Description

Periodic wake-up from the RTC module does not work to wake up from STANDBY mode.

Workaround

Use the RTC alarm wake-up feature instead of the periodic wake-up.

13.5 RTC Incorrectly Triggers the TISOVF Flag

Description

When the system wakes up from STANDBY mode or reset by IWDG timeout, TISOVF flag in RTC may be set incorrectly.

Workaround

Before entering STANDBY mode or when the system is reset by IWDG timeout, when the SHOPF flag is 0, configure the RTC_SCTRL.SUBF[14:0] register once, and the SHOPF flag will be set to 1. When the SHOPF flag is 0 again, it should configure RTC_SCTRL.SUBF[14:0] register for the second time. This will solve the issue. *Note: that NRST cannot be triggered during above process.*

14 Low Power Timer (LPTIM)

14.1 LPTIM Maximum Count Value

Description

When selecting the internal clock source for LPTIM (CKSLE bit in the LPTIM_CFG register is 0), and the counter is configured to increment for each valid clock pulse on Input1 (the CNTMEN bit in the LPTIM_CFG register is 1), and the maximum count value of the counter is ARRVAL (automatic reload counter) -1.

Workaround

When the LPTIM_CFG register CKSLE bit is 0 and the LPTIM_CFG register CNTMEN bit is 1, the calculated target value of ARRVAL needs to be incremented by 1 for configuration.

15 Controller Area Network (CAN)

15.1 CAN Active Error

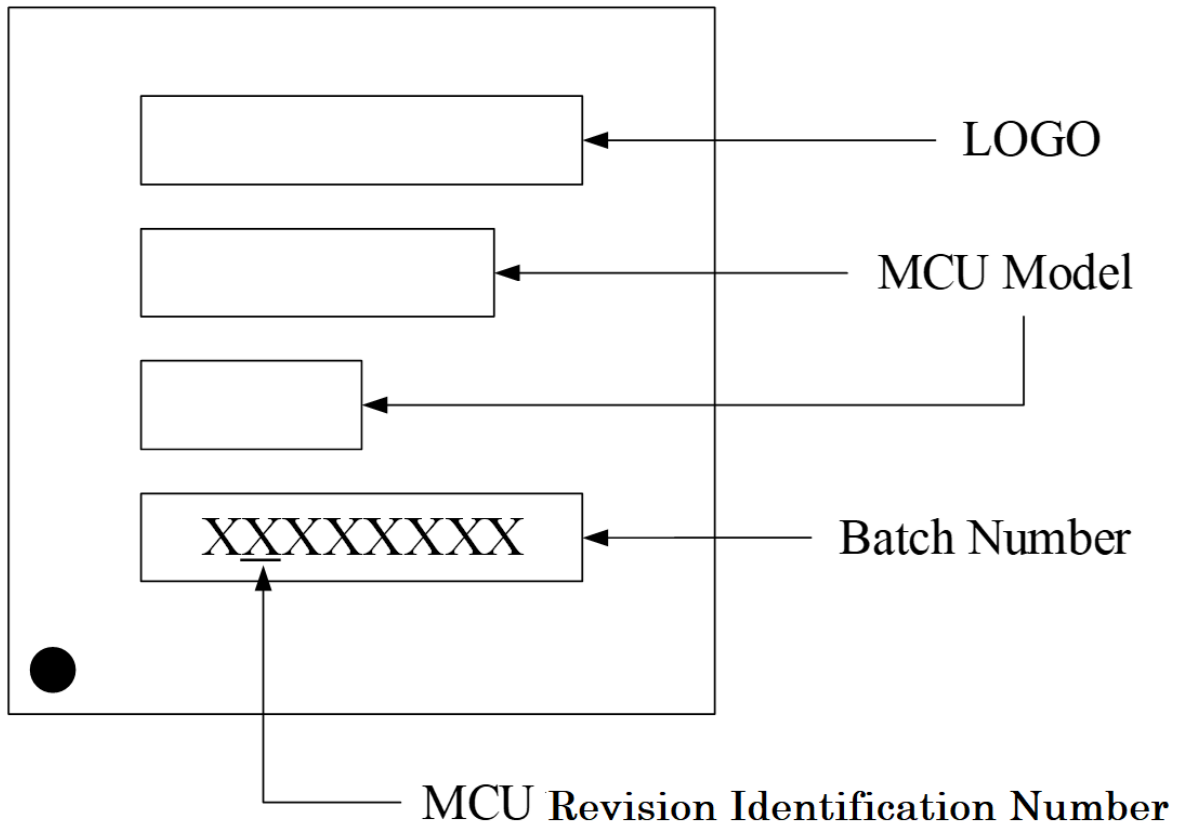
Description

In normal mode, if the CAN bit is hard synchronized and the bus rate deviation of other nodes on the bus is too large (approaching or exceeding the synchronization segment), the CAN module is prone to report active errors.

Workaround

None

16 Chip Screen Printing and Version Description



17 Version History

Version	Date	Changes
V1.0.0	2021.09.15	Initial release
V1.0.1	2021.11.30	<ol style="list-style-type: none"> 1. Added 5.3 ADC analog watchdog 2. Added 5.4 DMA moving ADC data 3. Added 7.4 Abnormal signal interference 4. Added 11.2 RTC subsecond interrupt
V1.1.0	2022.02.22	Added SPI CLK GPIO Configuration
V1.2	2022.04.06	<ol style="list-style-type: none"> 1. Modified Table 1-1 Errata Description Added version E 2. Modified 11.2 chapter to change RTC sub-pico-second to RTC subsecond 3. Added 12 chapter on Low Power Timer (LPTIM) 4. Added 3.2 LSE-CSS Fault Detection 5. Modified 7.3 chapter to add I2C DMA usage restrictions
V1.2.1	2022.09.05	<ol style="list-style-type: none"> 1. Added 15 chapters Controller Area Network(CAN) 2. Added 13.3 RTC interrupt chapter 3. Added 13.4 RTC Auto Wake-up chapter
V1.3	2023.02.14	Added 13.5 chapter RTC mistakenly triggers TISOVF flag bit

18 Disclaimer

This document is the exclusive property of NSING TECHNOLOGIES PTE. LTD.(Hereinafter referred to as NSING). This document, and the product of NSING described herein (Hereinafter referred to as the Product) are owned by NSING under the laws and treaties of Republic of Singapore and other applicable jurisdictions worldwide. The intellectual properties of the product belong to Nations Technologies Inc. and Nations Technologies Inc. does not grant any third party any license under its patents, copyrights, trademarks, or other intellectual property rights. Names and brands of third party may be mentioned or referred thereto (if any) for identification purposes only. NSING reserves the right to make changes, corrections, enhancements, modifications, and improvements to this document at any time without notice. Please contact NSING and obtain the latest version of this document before placing orders. Although NATIONS has attempted to provide accurate and reliable information, NATIONS assumes no responsibility for the accuracy and reliability of this document. It is the responsibility of the user of this document to properly design, program, and test the functionality and safety of any application made of this information and any resulting product. In no event shall NATIONS be liable for any direct, indirect, incidental, special, exemplary, or consequential damages arising in any way out of the use of this document or the Product. NATIONS Products are neither intended nor warranted for usage in systems or equipment, any malfunction or failure of which may cause loss of human life, bodily injury or severe property damage. Such applications are deemed, 'Insecure Usage'. Insecure usage includes, but is not limited to: equipment for surgical implementation, atomic energy control instruments, airplane or spaceship instruments, all types of safety devices, and other applications intended to supporter sustain life. All Insecure Usage shall be made at user's risk. User shall indemnify NATIONS and hold NATIONS harmless from and against all claims, costs, damages, and other liabilities, arising from or related to any customer's Insecure Usage Any express or implied warranty with regard to this document or the Product, including, but not limited to. The warranties of merchantability, fitness for a particular purpose and non-infringement are disclaimed to the fullest extent permitted by law. Unless otherwise explicitly permitted by NATIONS, anyone may not use, duplicate, modify, transcribe or otherwise distribute this document for any purposes, in whole or in part.